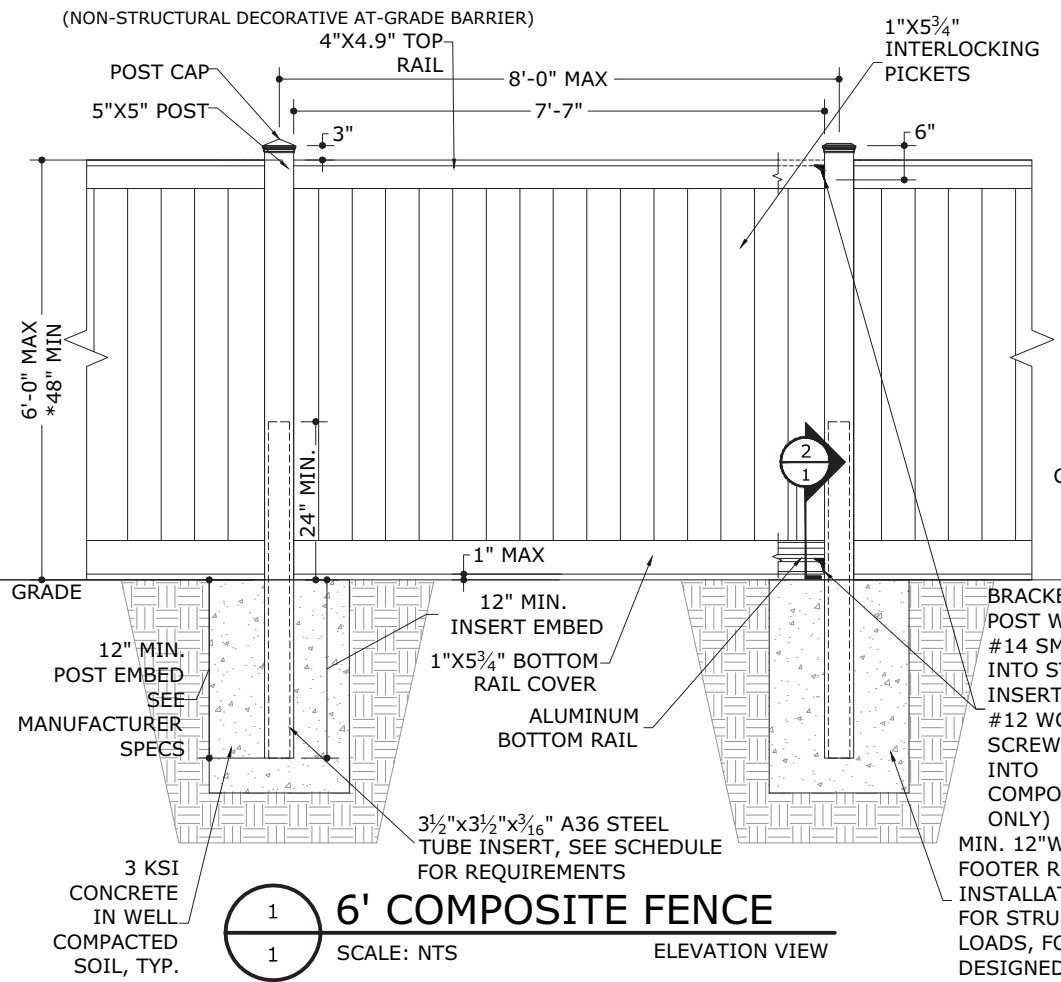
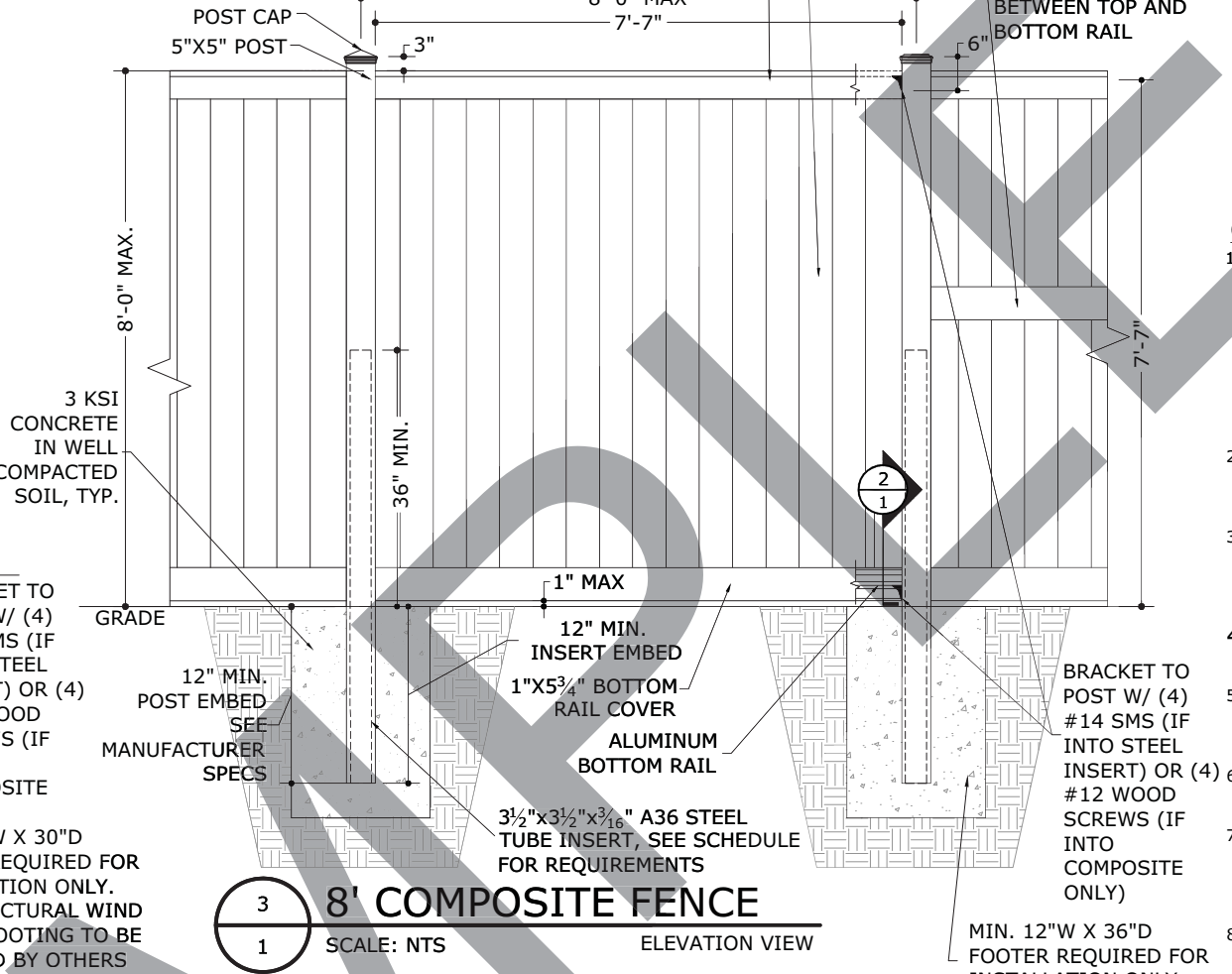


6'-8' TREX SECLUSIONS COMPOSITE FENCE AT GRADE MPS

FRANK L. BENNARDO, P.E.
PE# 0046549
03/13/2018
IF CHECKED, CERTIFYING P.E. APPEARS BELOW
GORDON DIBATTISTO, P.E.
82328



1 6' COMPOSITE FENCE
SCALE: NTS
ELEVATION VIEW



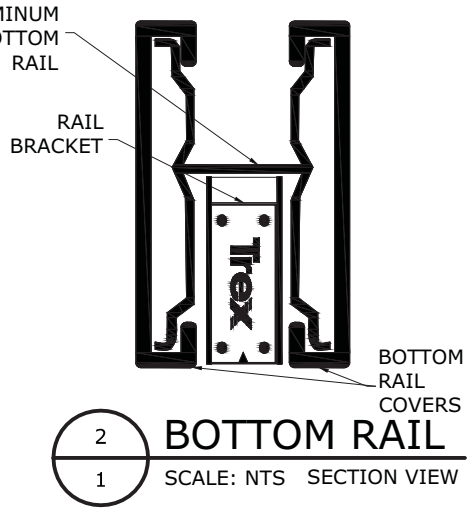
3 8' COMPOSITE FENCE
SCALE: NTS
ELEVATION VIEW

DESIGN PRESSURE & REQUIRED FOOTER MOMENT					
POST HEIGHT (FT)	POST SPACING (FT)	VULT (MPH)	DP (PSF)	INSERT REQUIRED?	REQ MOMENT (LB-FT)
6	8	110	16.3	NO INSERT	2347.2
6	8	115**	19	NO INSERT	2736
6	8	130	22.8	NO INSERT	3283.2
6	8	145	28.4	NO INSERT	4089.6
6	8	165	36.8	INSERT	5299.2
6	8	180	43.8	INSERT	6307.2

**REQUIRED WINDSPEED IF WITHIN HVHZ

POST INSERT, FOOTER MOMENT & INTERMEDIATE RAIL REQUIREMENTS						
POST HEIGHT (FT)	POST SPACING (FT)	VULT (MPH)	DP (PSF)	NO. OF INT. RAILS REQUIRED	INSERT REQUIRED?	POST REQ MOMENT (LB-FT)
8	8	110	16.5	0	NO INSERT	4224
8	8	115	18.1	0	NO INSERT	4634
8	8	130	23.1	0	INSERT	5914
8	8	145	28.7	0	INSERT	7347
8	8	165	37.2	0	INSERT	9523
8	7.2	180	44.3	0	INSERT	10207

6' TREX SECLUSIONS	MATERIAL NEEDED FOR 8' SECTION
	5 x 5 Post Cap Pyramid or Flat
	5 x 5 x 5/8" Post
	Top Rail 4 x 4.9 x 1/2"
	Bottom/Intermediate Rail Cover 1 x 5.75
	Interlocking Picket 1 x 5.75
	Aluminum Bottom/Intermediate Rail (6063-T6)
	1 1/4" x 3 1/8" x 1/8" Rail Bracket



2 1 BOTTOM RAIL
SCALE: NTS
SECTION VIEW

GENERAL NOTES

- THIS STRUCTURE HAS BEEN DESIGNED AND SHALL BE FABRICATED IN ACCORDANCE WITH THE STRUCTURAL PROVISIONS OF THE FLORIDA BUILDING CODE SIXTH EDITION (2017). STRUCTURE SHALL BE FABRICATED IN ACCORDANCE WITH ALL GOVERNING CODES. CONTRACTOR SHALL INVESTIGATE AND CONFORM TO ALL LOCAL BUILDING CODE AMENDMENTS WHICH MAY APPLY AND GOVERN. DESIGN CRITERIA OR SPANS BEYOND STATED HEREIN MAY REQUIRE ADDITIONAL SITE SPECIFIC SEALED ENGINEERING.
- DESIGN BASED ON ASCE 7-10 USING V_{ult} = SEE DESIGN PRESSURE TABLES (3 SEC GUST), EXPOSURE 'C', RISK CATEGORY I, USING THE SOLID SIGN METHOD, 0% OPEN USED IN CALCULATIONS.
- THIS FENCE DESIGN TO BE USED AT GROUND SURFACE ONLY, WITH USE LIMITED TO DECORATIVE BARRIER PURPOSES ONLY. THIS FENCE IS NOT INTENDED TO MEET CODES GOVERNING ELEVATED BALCONIES OR STRUCTURAL RAILINGS.
- COMPOSITE WOOD MATERIAL INFORMATION:** ALL COMPOSITE WOOD MATERIAL TO HAVE A FLEX STR. OF 4000PSI MIN.
- ALL CONCRETE AND EPOXY TO REACH A MIN. COMPRESSIVE STRENGTH OF 3000 PSI IN 7 DAYS. CONCRETE FOOTERS SHALL CONTAIN MINIMUM 0.1% FIBERMESH CONTENT PER CUBIC YARD.
- THE CONTRACTOR IS RESPONSIBLE TO INSULATE ALL MEMBERS FROM DISSIMILAR MATERIALS TO PREVENT ELECTROLYSIS.
- SURROUNDING SOIL TO BE COMPACTED TO 98% OPTIMUM DENSITY, 2500 PSF MIN AND SHALL BE CLASSIFIED OR VERIFIED BY OTHERS PRIOR TO CONSTRUCTION PER FBC 1806.2 AND SHALL BE SANDY GRAVEL CLASS ONLY.
- PER FBC 454.2.17.1.8: POOL ACCESS GATES WHEN PROVIDED SHALL COMPLY WITH FBC 454.2 AND MUST BE AT LEAST 48" ABOVE GRADE & EQUIPPED WITH A SELF CLOSING, SELF LATCHING LOCKING DEVICE NOT LESS THAN 54" FROM BOT OF GATE. GATE MUST OPEN OUTWARD AWAY FROM POOL & MUST HAVE NO OPENING > 1/2" WITHIN 18" OF RELEASE MECHANISM.
- ELECTRICAL GROUND, WHEN REQUIRED, TO BE DESIGNED & INSTALLED BY OTHERS.
- ENGINEER SEAL AFFIXED HERETO VALIDATES STRUCTURAL DESIGN AS SHOWN ONLY. USE OF THIS SPECIFICATION BY CONTRACTOR, ET AL. INDEMNIFIES & SAVES HARMLESS THIS ENGINEER FOR ALL COST & DAMAGES INCLUDING LEGAL FEES & APPELLATE FEES RESULTING FROM MATERIAL FABRICATION, SYSTEM ERECTION, CONSTRUCTION PRACTICES BEYOND THAT WHICH IS CALLED FOR BY LOCAL, STATE, & FEDERAL CODES & FROM DEVIATIONS OF THIS PLAN.
- THIS DOCUMENT IS GENERIC AND DOES NOT PERTAIN TO ANY SPECIFIC PROJECT SITE. INFORMATION CONTAINED HEREIN IS BASED ON CONTRACTOR-SUPPLIED DATA AND MEASUREMENTS. ENGINEERING EXPRESS SHALL NOT BE HELD RESPONSIBLE OR LIABLE IN ANY WAY FOR ERRONEOUS OR INACCURATE DATA OR MEASUREMENTS. DIMENSIONS ARE SHOWN TO ILLUSTRATE DESIGN FORCES AND OTHER DESIGN CRITERIA. THEY MAY VARY SLIGHTLY, BUT MUST REMAIN WITHIN THE LIMITATIONS SPECIFIED HEREIN. WORK SHALL BE FIELD VERIFIED BY OTHERS PRIOR TO CONSTRUCTION. ENGINEERING EXPRESS SHALL BE NOTIFIED AND GIVEN AN OPPORTUNITY TO REEVALUATE OUR WORK UPON DISCOVERY OF ANY INACCURATE INFORMATION PRIOR TO MODIFICATION OF EXISTING FIELD CONDITIONS AND FABRICATION AND INSTALLATION OF MATERIALS. ALTERATIONS OR ADDITIONS TO THIS DOCUMENT ARE NOT PERMITTED AND INVALIDATE OUR CERTIFICATION.
- ANYTHING LESS THAN THE HEIGHT AND POST SPACING SHOWN HEREIN MAY BE AS PER MANUFACTURER PLANS FOR DIMENSIONAL CONFORMITY, PROVIDED COMPONENTS AND EXTRUSIONS ARE PER THIS DESIGN AND THERE ARE NO INCREASED TRIBUTARIES.
- EXCEPT AS EXPRESSLY PROVIDED HEREIN, NO ADDITIONAL CERTIFICATIONS OR AFFIRMATIONS ARE INTENDED.

ENGINEERING EXPRESS
CORPORATE OFFICE:
160 SW 12th AVE, SUITE 106
DEERFIELD BEACH, FL 33442
P: (954) 354-0660 F: (954) 354-0443
E: HELLO@ENGINEERINGEXPRESS.COM
ENGINEERINGEXPRESS.COM
CERT OF AUTH #9885

Trex Fencing
www.TrexFencing.com
1.877.700.8739
TREX FENCING 6'-8' FENCE MPS
FLORIDA BUILDING CODE
ASCE 7-10 'SOLID SIGN METHOD' 0% OPEN

REMARKS	DATE
INIT ISSUE	02/28/18
UPDATE FOR 2017 FBC	02/28/18
DRWN	FLB
CHKD	FLB

THIS DOCUMENT IS THE PROPERTY OF ENGINEERING EXPRESS AND SHALL NOT BE REPRODUCED IN WHOLE OR PART WITHOUT WRITTEN CONSENT OF ENGINEERING EXPRESS. ALTERATIONS, ADDITIONS, OR OTHER MARKINGS TO THIS DOCUMENT ARE NOT PERMITTED AND INVALIDATE OUR CERTIFICATION.

15-2692a
SCALE: NTS UNLESS NOTED
1 OF 1